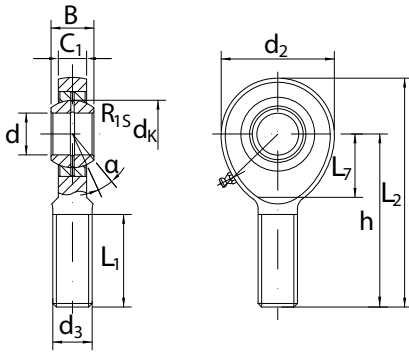


SA..E - SA..ES - SA..ES 2RS



SA..E - Rod end requiring maintenance
 SA..ES - Rod end requiring maintenance with grease nipple and grease groove
 SA..ES 2RS ($d \geq 15$) - Rod end requiring maintenance with grease nipple, grease groove and seals

Rod end with right or left-hand male thread made of a zinc plated steel housing with a GE..E, GE..ES eller GE..ES 2RS spherical plain bearing mounted.

Also available with seals, e.g. SA(L) 30 ES 2RS

* without grease hole and grease nipple, For left hand thread, add L to the designation, e.g. SAL 30 ES

Designation	Dimensions mm												Load ratings kN	
	d	d ₃ 6g	B	C ₁	L ₁ min	d ₂	L ₇ min	h	L ₂	d _k	R _{1s}	a _z	dyn. C	stat. C
SA 06 E*	6	M6x1.0	6	4.4	18	21	11	36	46.5	10	0.3	13	3.40	8.15
SA 08 E*	8	M8x1.25	8	6	22	24	14	42	54	13	0.3	15	5.50	12.9
SA 10 E*	10	M10x1.5	9	7	26	29	15	48	62.5	16	0.3	12	8.15	17.6
SA 12 E*	12	M12x1.75	10	8	28	34	17	54	71	18	0.3	11	10.8	24.5
SA 15 ES	15	M14x2.0	12	10	34	40	20	63	83	22	0.3	8	17.0	36.0
SA 17 ES	17	M16x2.0	14	11	36	46	23	69	92	25	0.3	10	21.2	45.0
SA 20 ES	20	M20x1.5	16	13	43	53	27	78	104.5	29	0.6	9	30.0	60.0
SA 25 ES	25	M24x2.0	20	17	53	64	32	94	126	35.5	0.6	7	48.0	83.0
SA 30 ES	30	M30x2.0	22	19	65	73	37	110	146.5	40.7	0.6	6	62.0	110
SA 35 ES	35	M36x3.0	25	21	82	82	41	140	181	47	0.6	6	80.0	146
SA 40 ES	40	M39x3.0	28	23	86	92	46	150	196	53	0.6	7	100	180
SA 45 ES	45	M42x3.0	32	27	94	102	51	163	214	60	0.6	7	127	240
SA 50 ES	50	M45x3.0	35	30	107	112	56	185	241	66	0.6	6	156	290
SA 60 ES	60	M52x3.0	44	38	115	135	68	210	277.5	80	1.0	6	245	450
SA 70 ES	70	M56x4.0	49	42	125	160	80	235	315	92	1.0	6	315	610
SA 80 ES	80	M64x4.0	55	47	140	180	90	270	360	105	1.0	6	400	750